

# WHAT IS YOUR BAGGAGE LIKE?

Make sure it is:

## Properly positioned

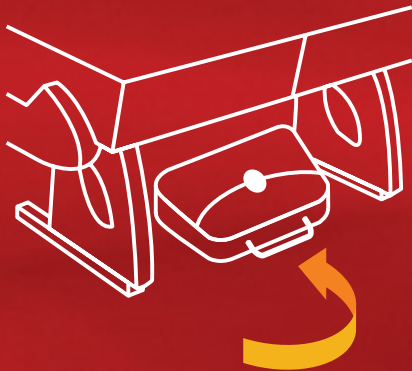
Leaving any baggage in front of the train access doors and along the corridors is strictly forbidden

## Easy to identify

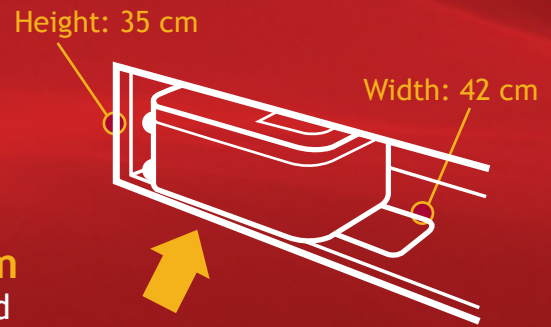
Make sure it has an identity tag



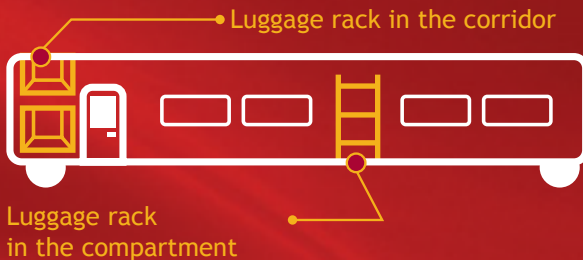
**Small**  
Beneath  
your seat



**Medium**  
Overhead  
racks



**Large**  
Luggage rack



Luggage rack space is limited. We recommend traveling with medium-sized baggage.

## XXL Baggage?



PLEASE NOTE: :  
Luggage larger than 75x53x30 cm  
is not permitted in Smart Class.



## Jackets and coats

Please use the coat  
hook provided



## Strollers, pushchairs and collapsible bicycles

They must first be collapsed



## Luggage rack with locks

Safety for luggage deposited  
in coaches away from you